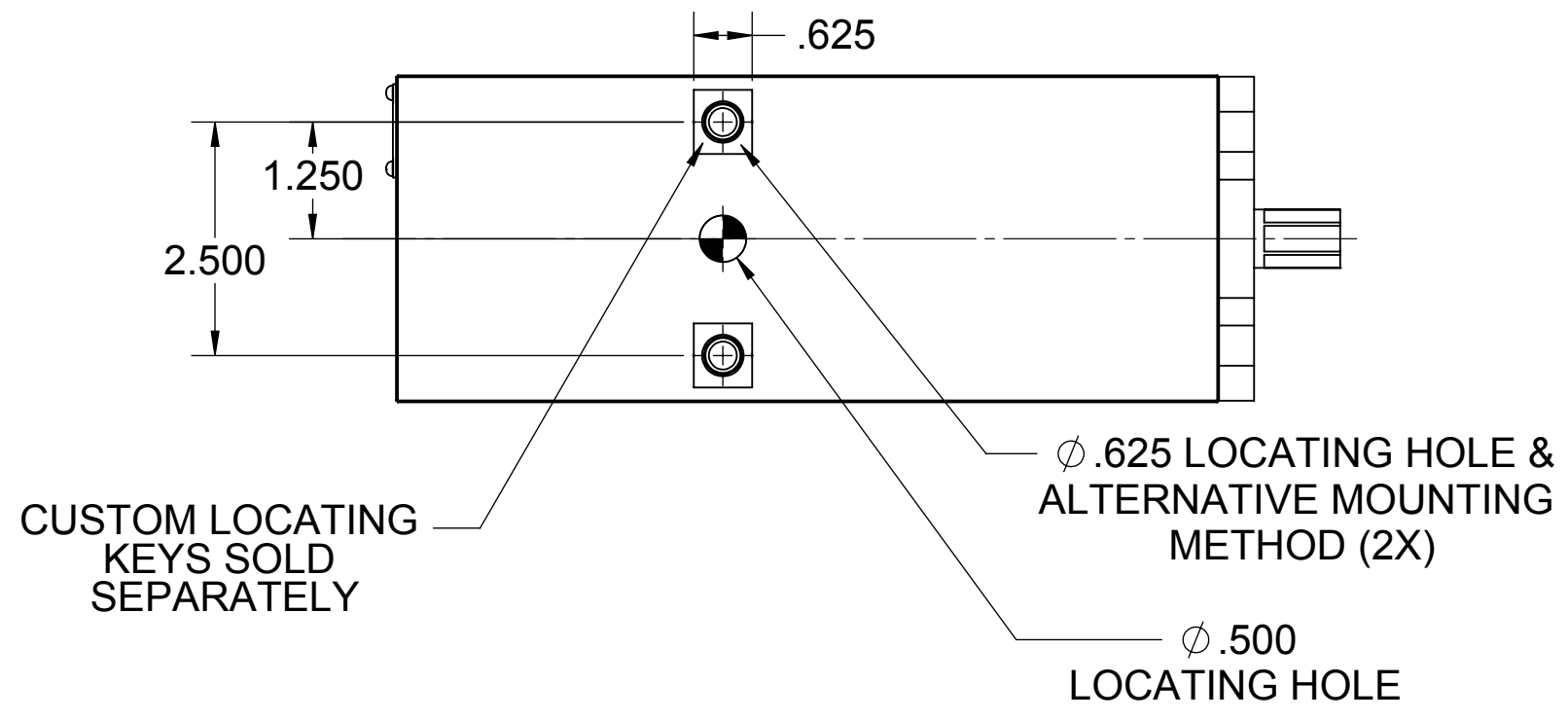
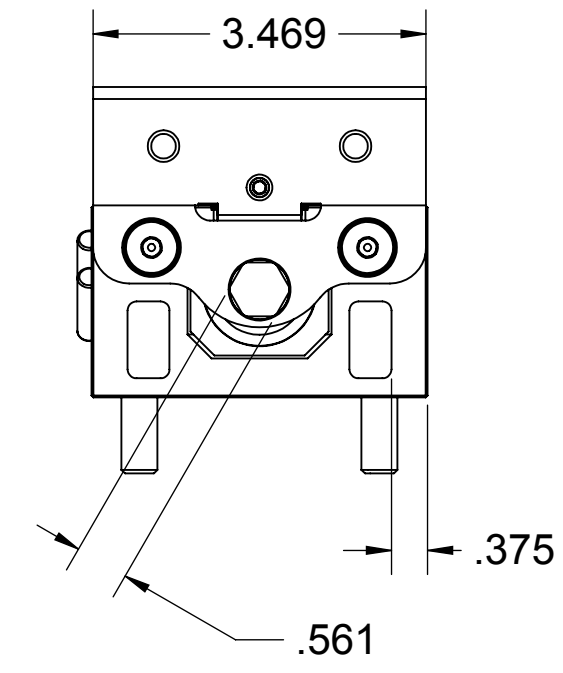
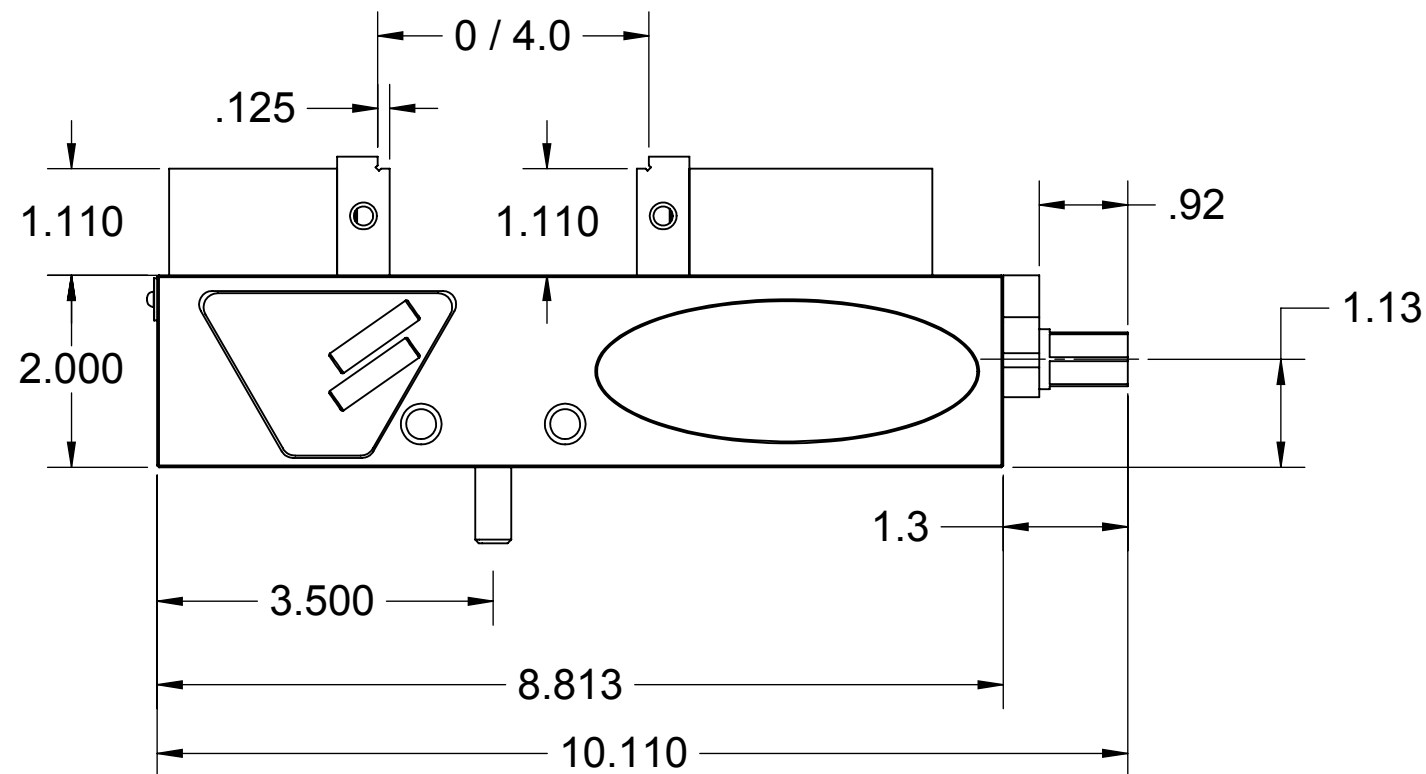
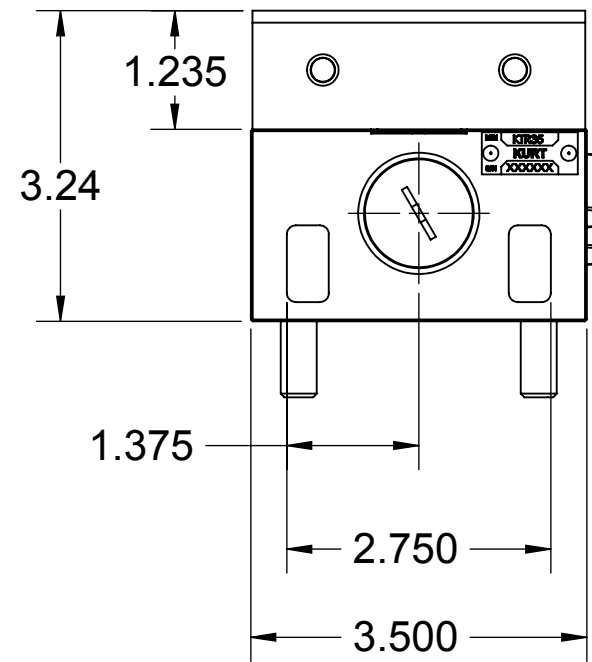
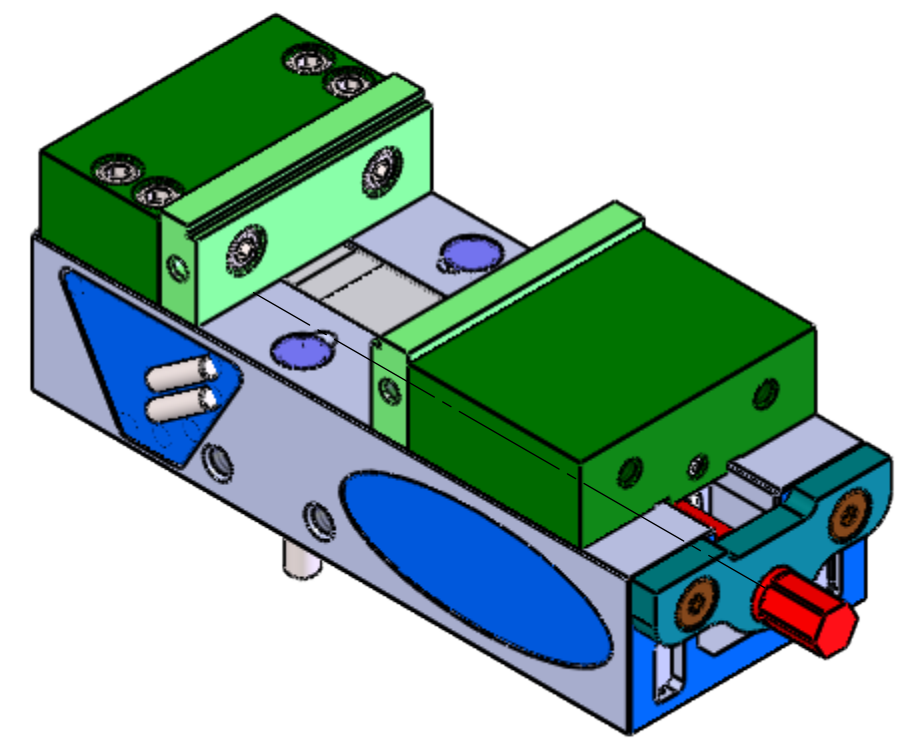
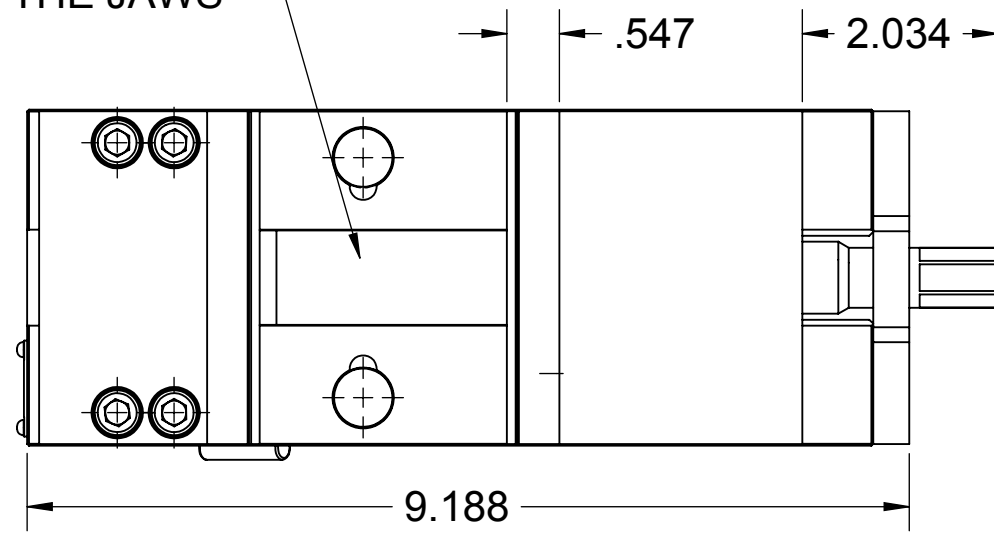


REV	ECD	DESCRIPTION	DATE	BY
A	V3958	RELEASED	2-3-14	DLS
B	V4011	SEE ECD	1-8-15	DLS

FULLY CHIP GUARDED  
IN-BETWEEN THE JAWS



NOTES:  
MAX TORQUE 45 FP = CLAMPING FORCE 4500 LBS

	WD-	TOOL NAME	KTR35	MODEL OF TOOL	KTR35
	TOLERANCES UNLESS NOTED INCHES DECIMAL .X ± .05 .XXX ± .0005 .XX ± .02 ANGLES ± 1° .XXX ± .005		TITLE	CATALOG DRAWINGS	
	DESIGNED	D.SCHMIDT 02-03-14	REVISION LEVEL	B	
	DETAILED	D.SCHMIDT 02-03-14	CUSTOMER	KURT	
CHECKED		DESCRIPTION OR MATERIAL	CUST. PART NO.	KTR35 ASSEMBLY	
APPROVED			TOOL NO.	SCALE	1:2
				SHEET	1 OF 1