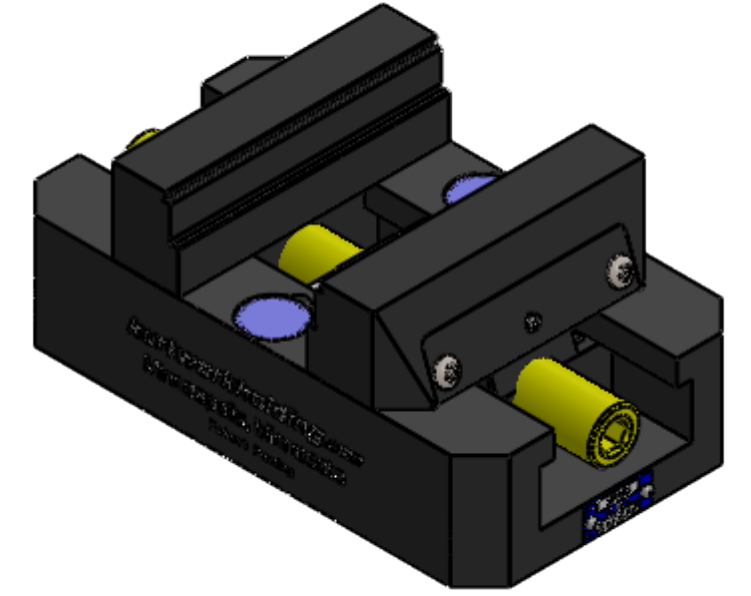
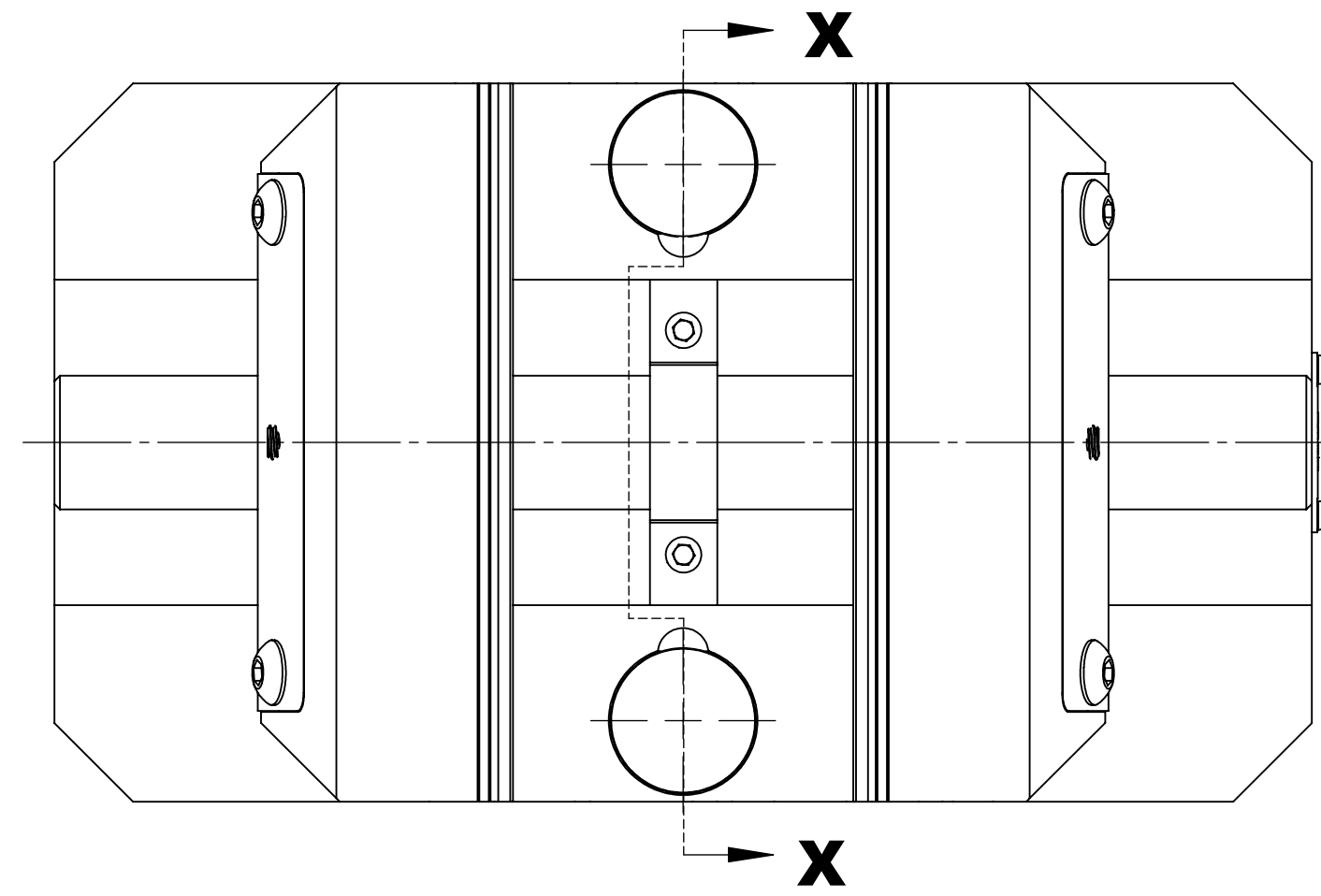
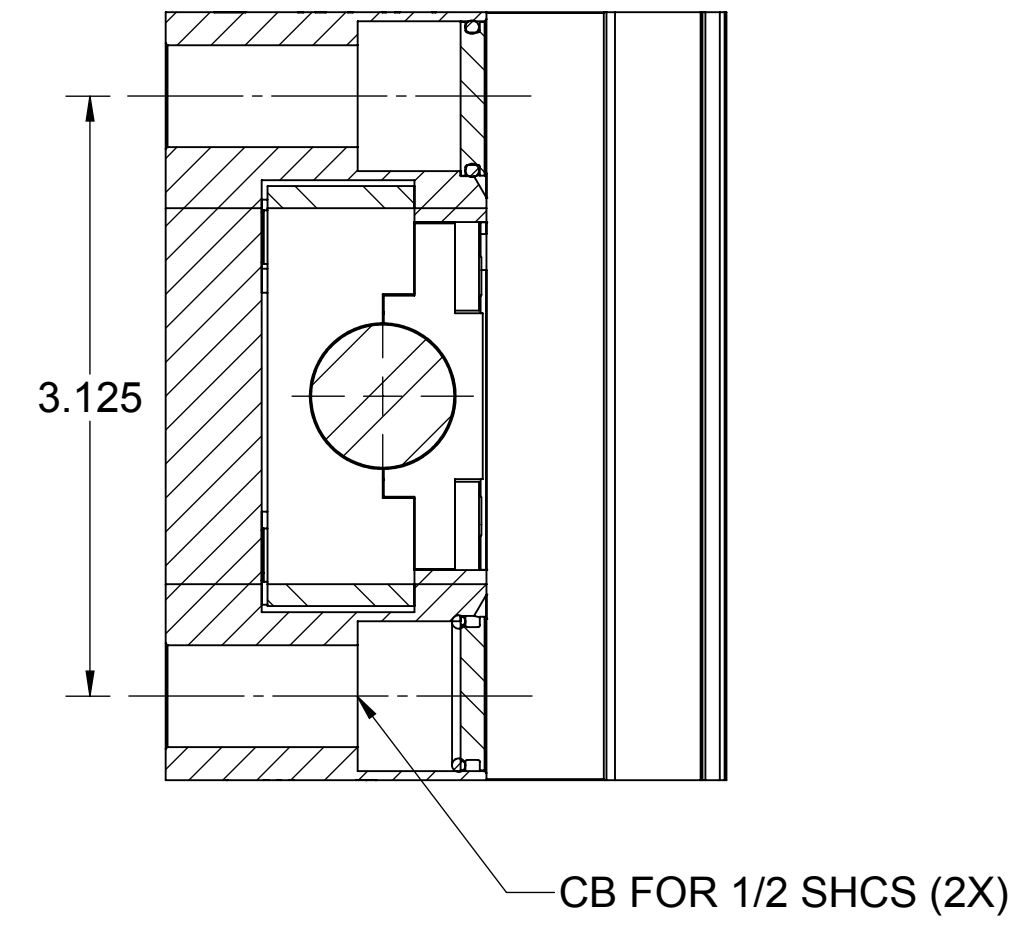
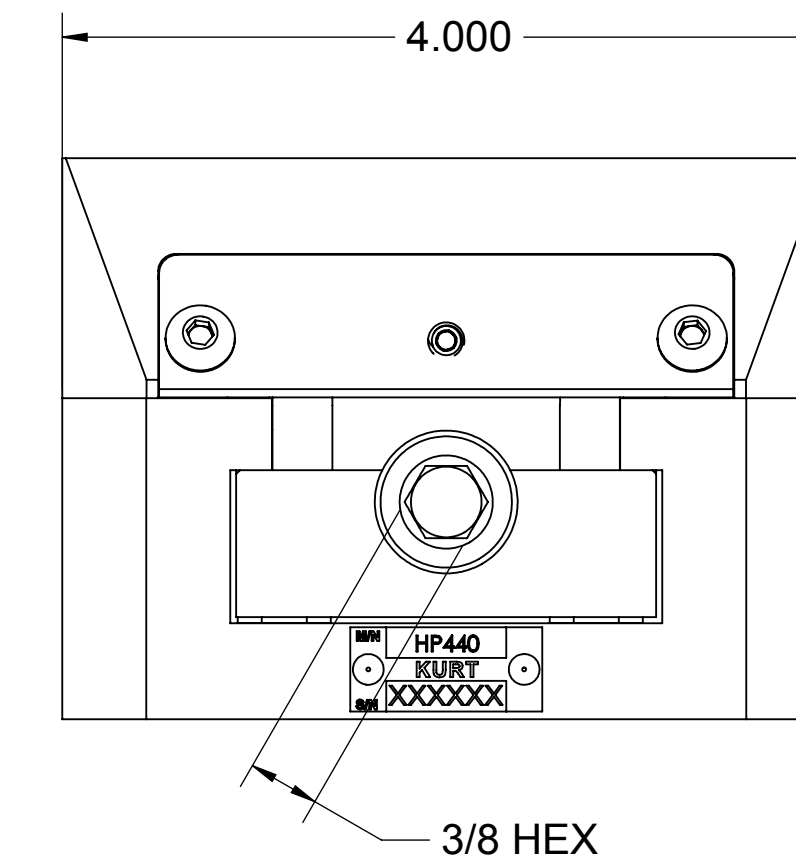
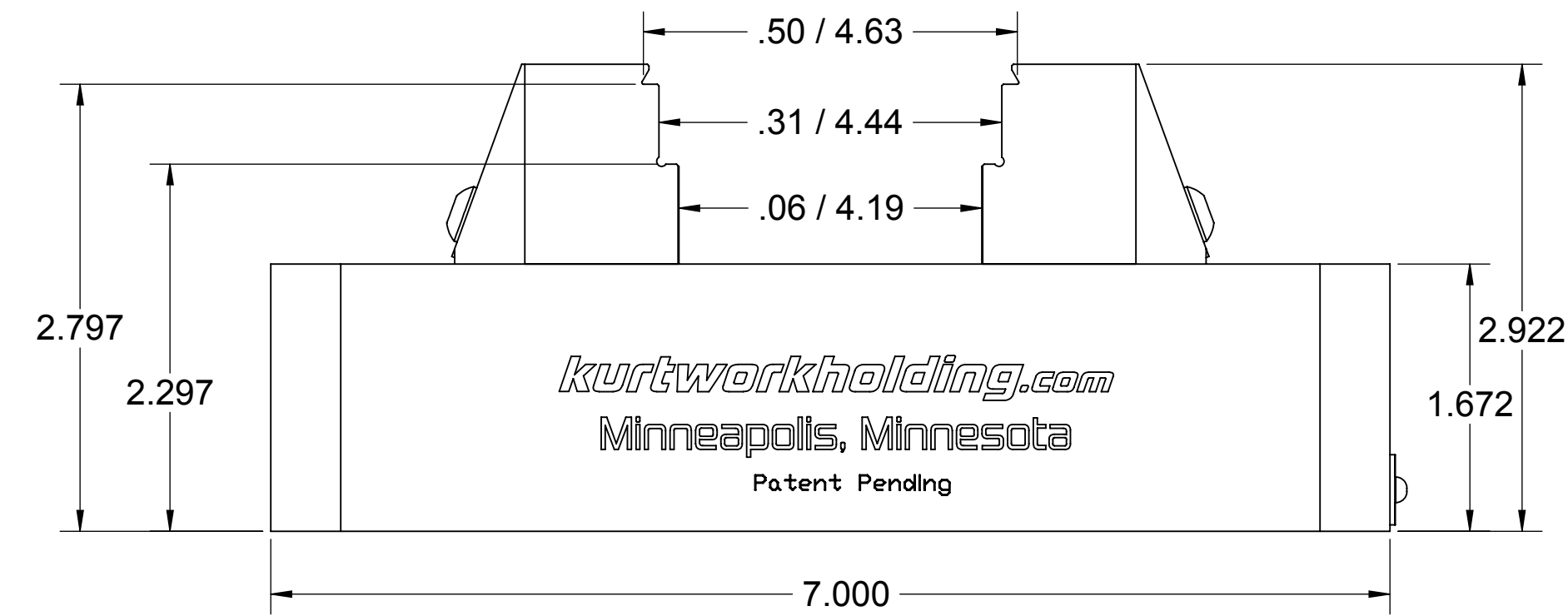


| REV | ECO | DESCRIPTION | DATE | BY |
|-----|-------|-------------|---------|-----|
| A | V4110 | RELEASED | 7-29-16 | DLS |
| B | V4162 | SEE ECO | 4-5-17 | DLS |
| C | V4168 | SEE ECO | 5-4-17 | DLS |

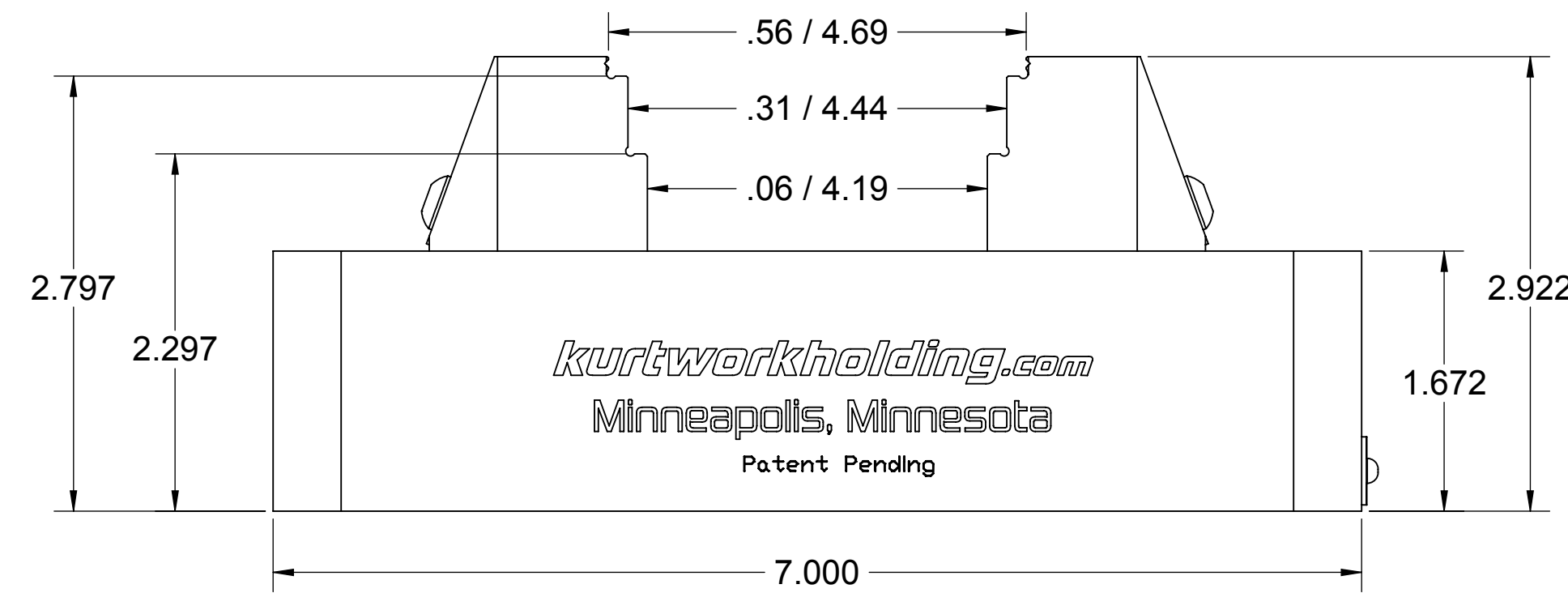
SECTION X-X



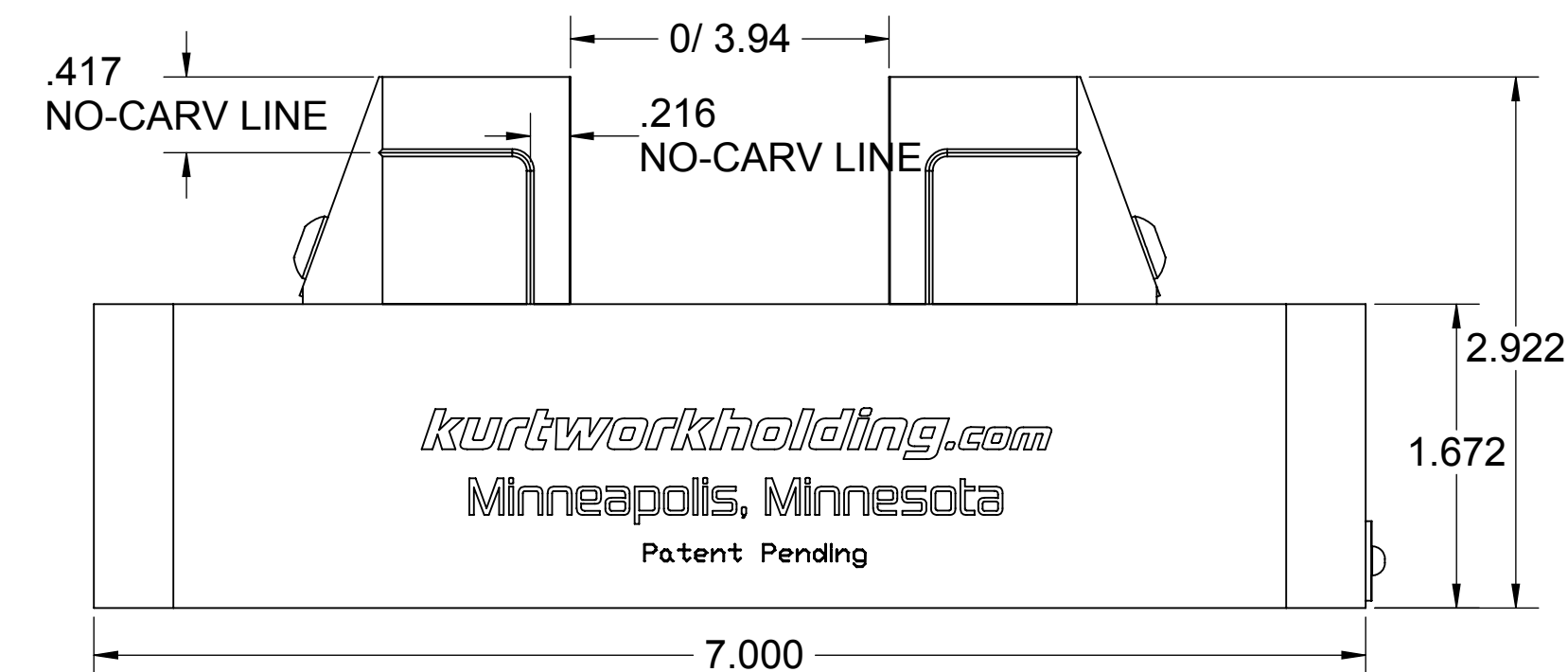
DOVETAIL JAWS



SERRATED JAWS



CARVABLE JAWS



NOTES:
MAX TORQUE 45 FOOT POUNDS

| | | | |
|-------------------------|---------------|--|--------------------------|
| | | TITLE: HP440 ASSEMBLY REVISION LEVEL: C | |
| DESIGNED BY: D. SCHMIDT | DATE: 7-29-16 | CUSTOMER: HP440 | CUSTOMER PART NO.: HP440 |
| DETAILED BY: D. SCHMIDT | DATE: 7-29-16 | TITLE: HP440 ASSEMBLY | SCALE: 1:1 |
| CHECKED BY: | DATE: | DESCRIPTION OR MATERIAL: | SHEET 1 OF 1 |
| APPROVED BY: | DATE: | | |