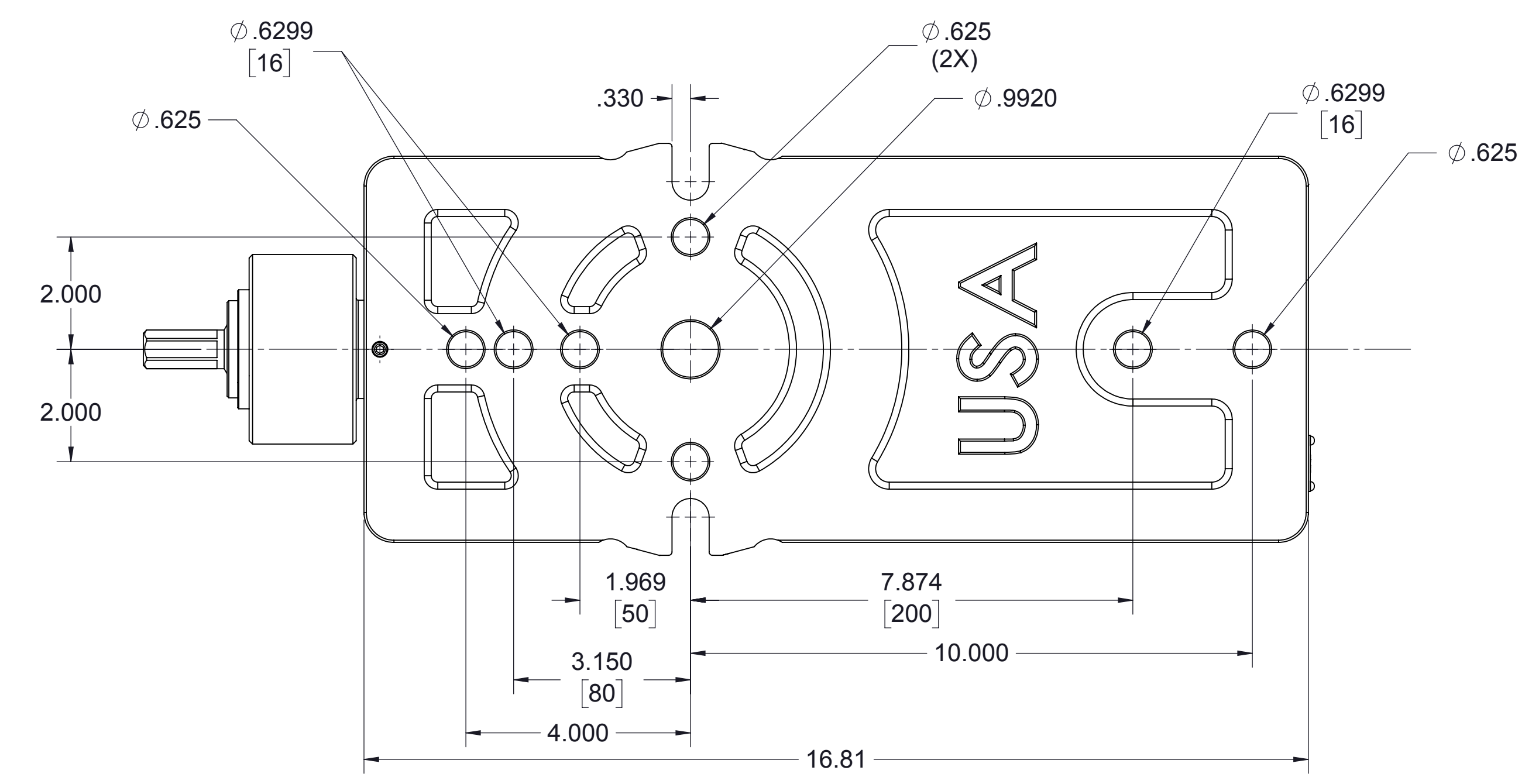
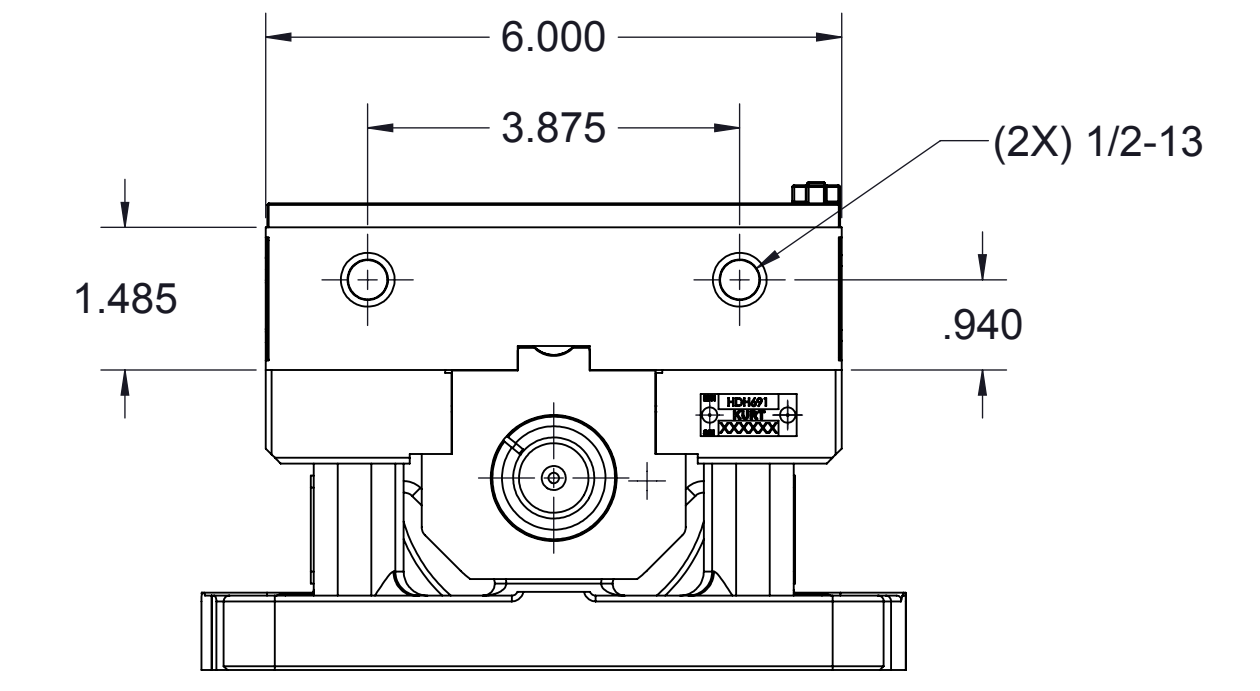
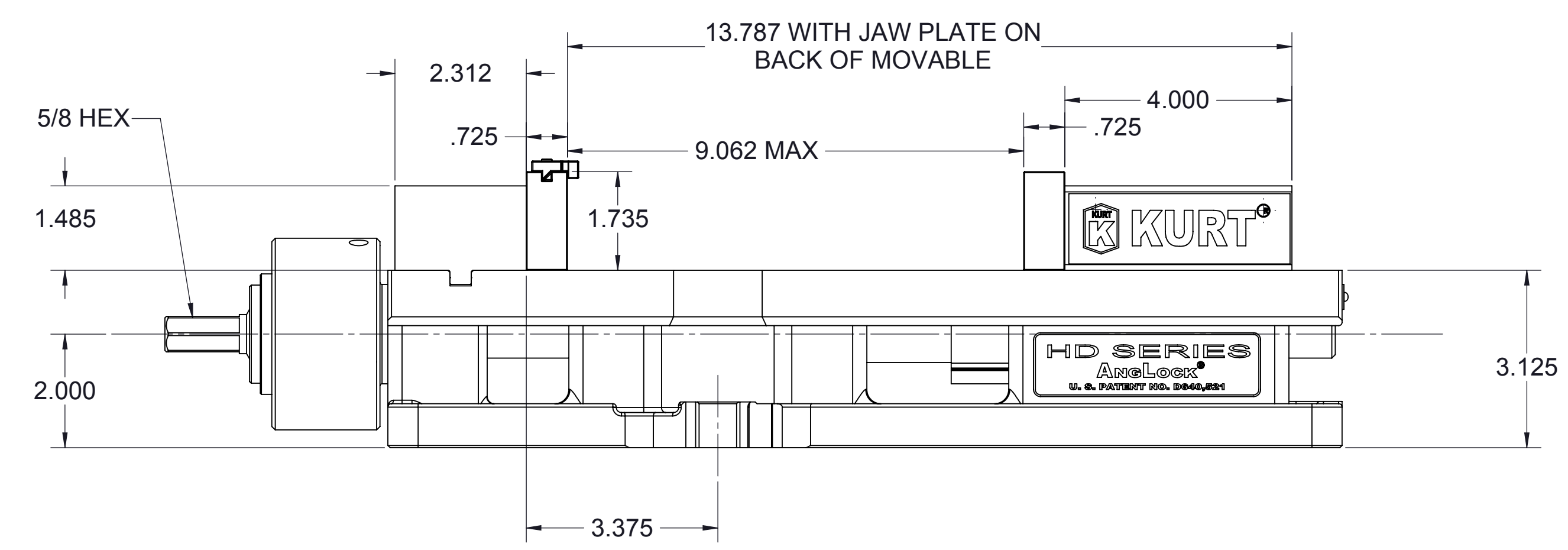
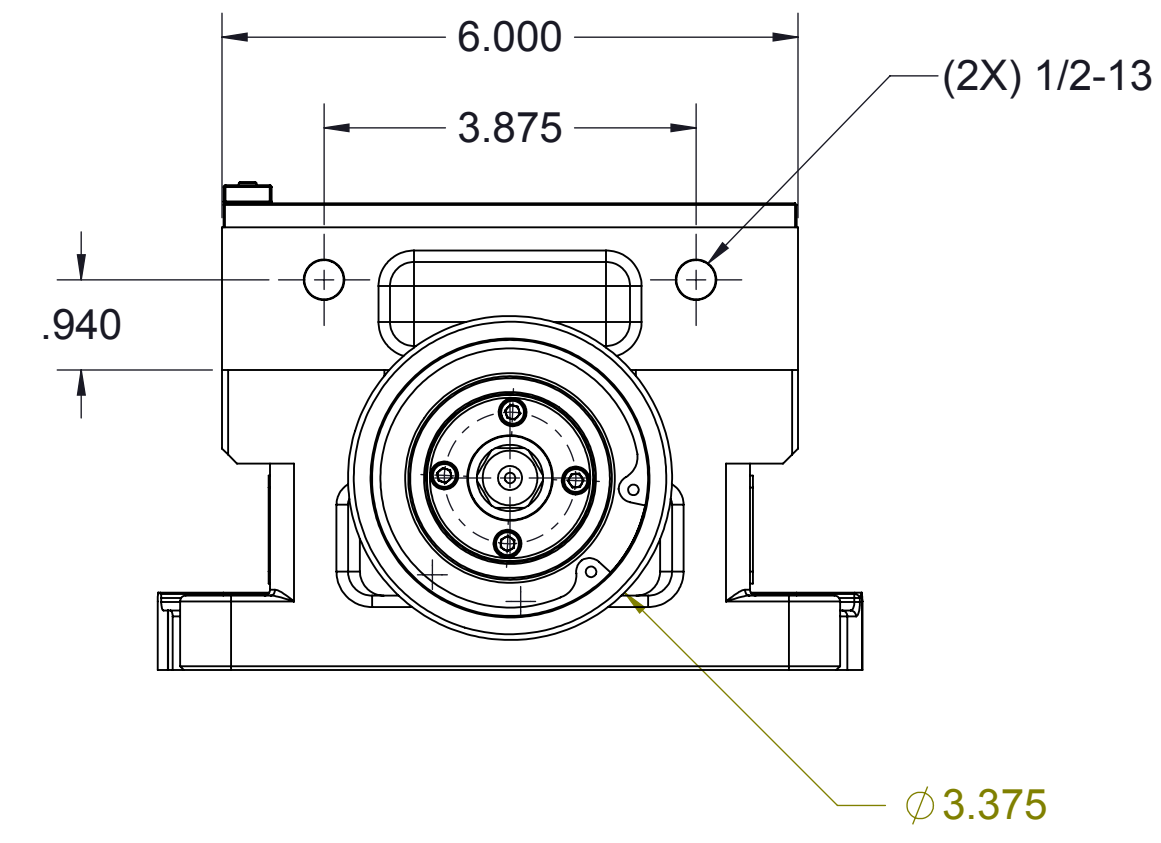
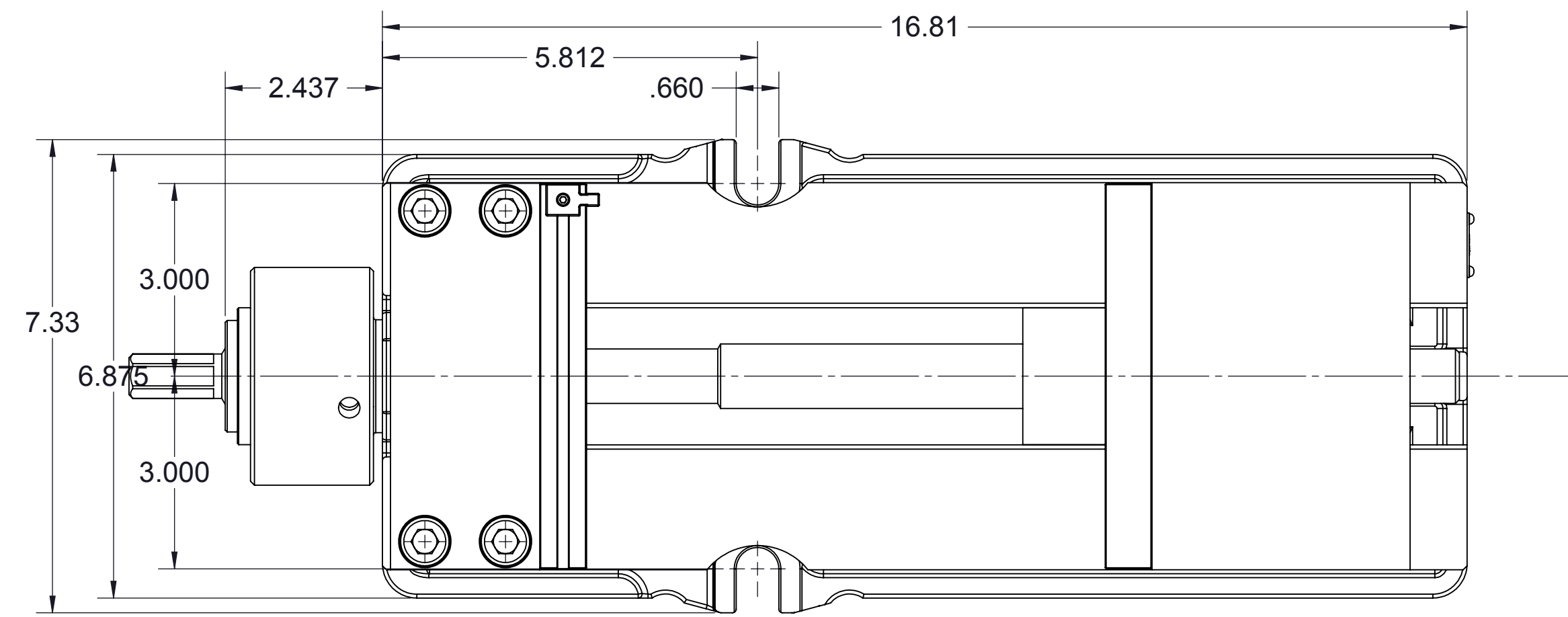


REV	ECO	DESCRIPTION	DATE	BY
A	V3856		3-5-12	DJS



D:\Product Drawings-CAD\Vises\HD-Series Vises\Single Station Vise\HDH691

	WD- <small>TOLERANCES UNLESS NOTED INCHES</small> <small>DECIMAL .XX ± .02 ANGLES ± 1°</small>	<small>TOOL NAME</small> HDH691	<small>MODEL OF TOOL</small>
	<small>TITLE</small> CATALOG DRAWINGS	<small>REV. SIZE</small> D	<small>REV. LEVEL</small> A
<small>DESIGNED</small> D. SZUMOWSKI	<small>DATE</small> 3-5-12	<small>CUSTOMER</small> HDH691	<small>CUSTOMER PART NO.</small> HDH691
<small>CHECKED</small> 	<small>DESCRIPTION OR MATERIAL</small> 	<small>TOOL NO.</small> 	<small>SCALE</small> 1:2
<small>APPROVED</small> 			<small>SHEET 3 OF 5</small>