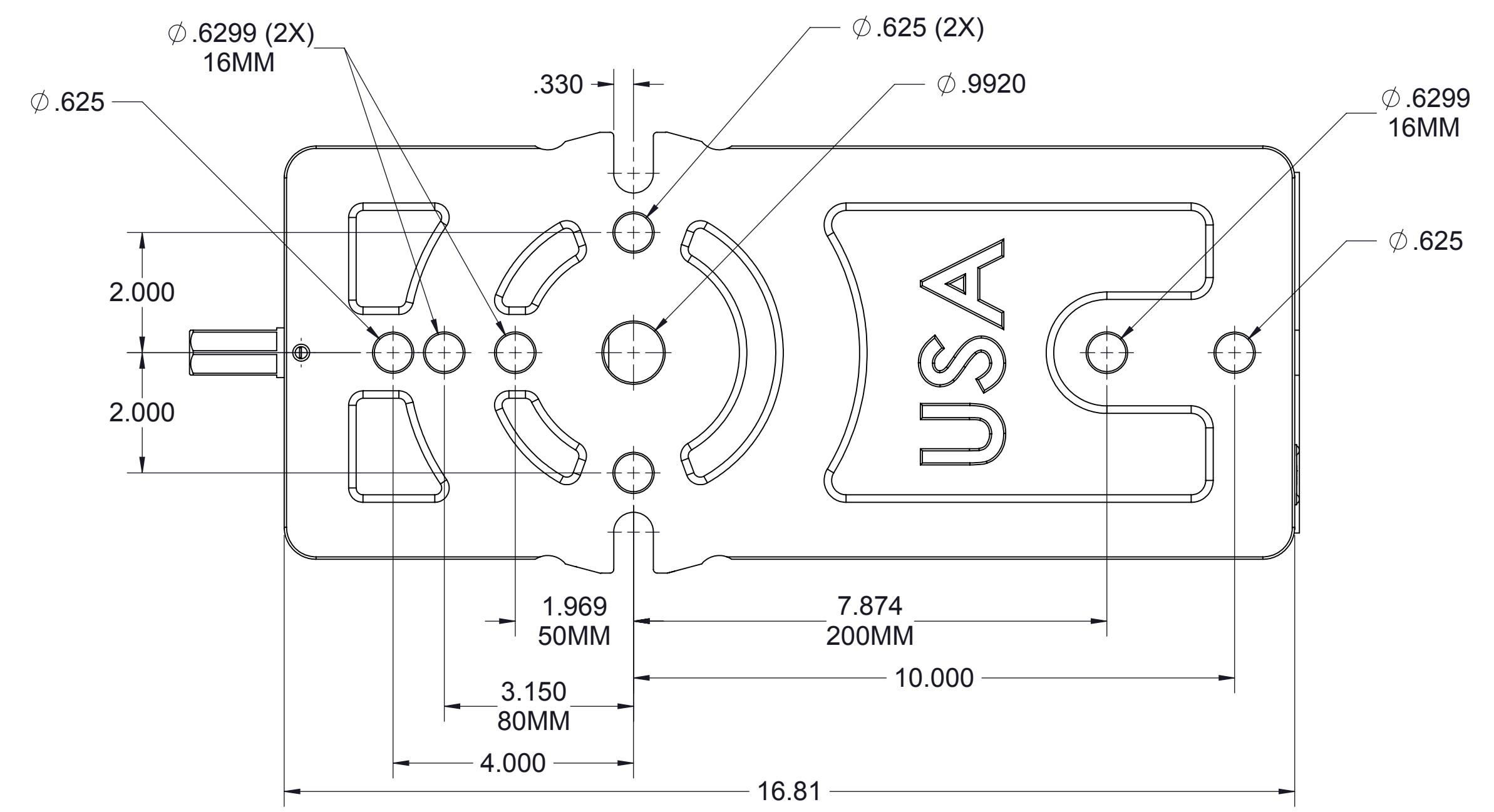
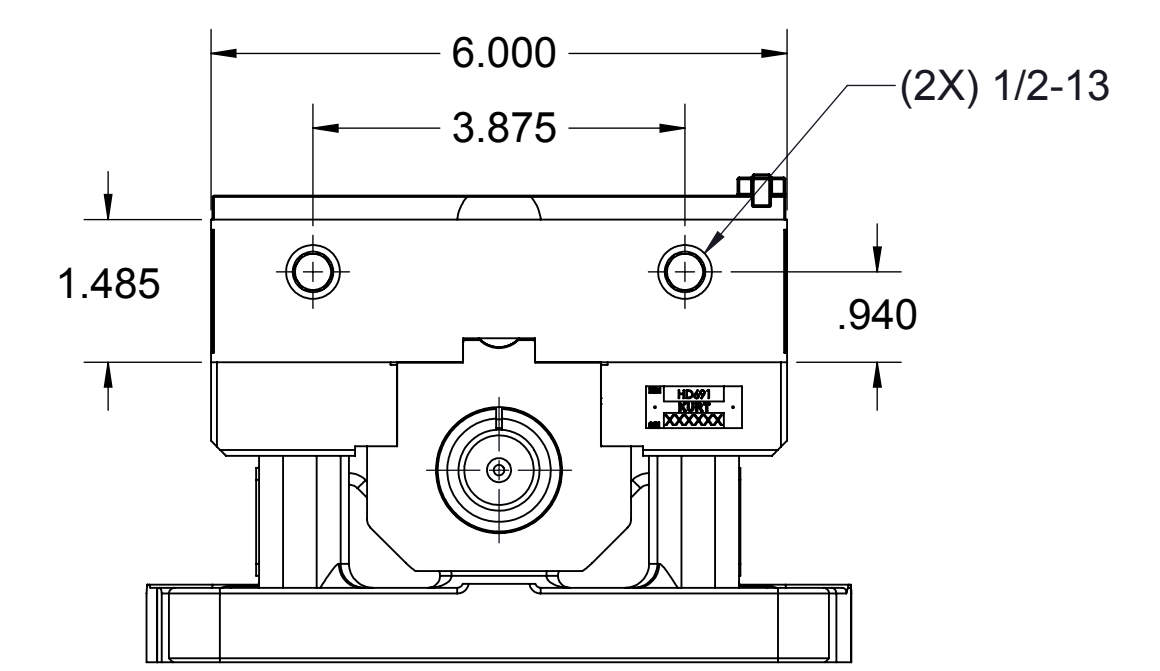
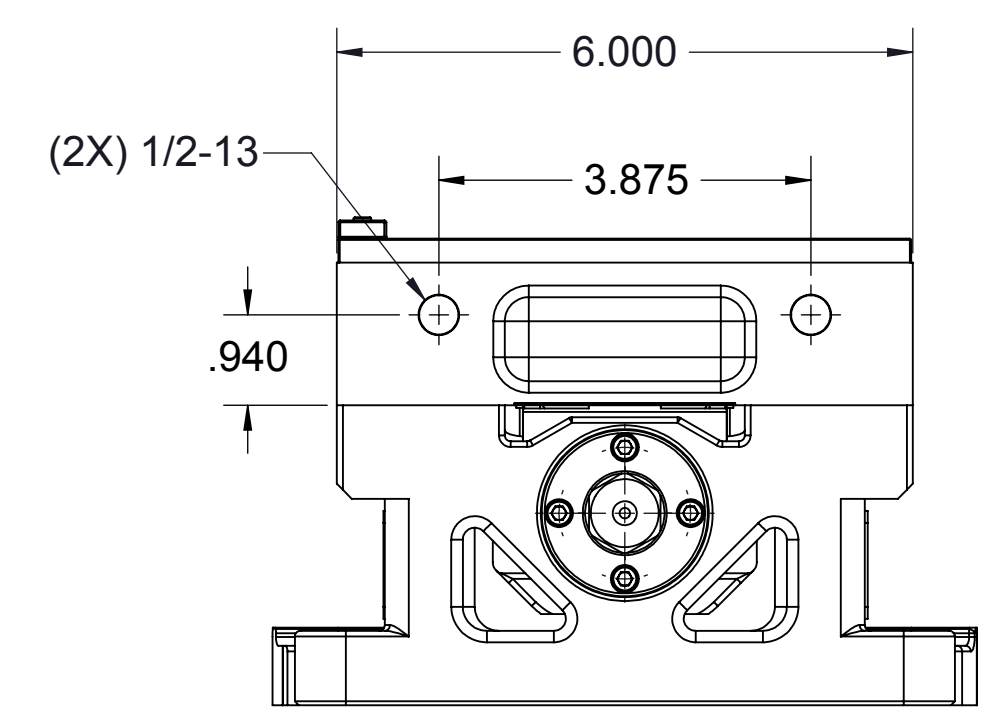
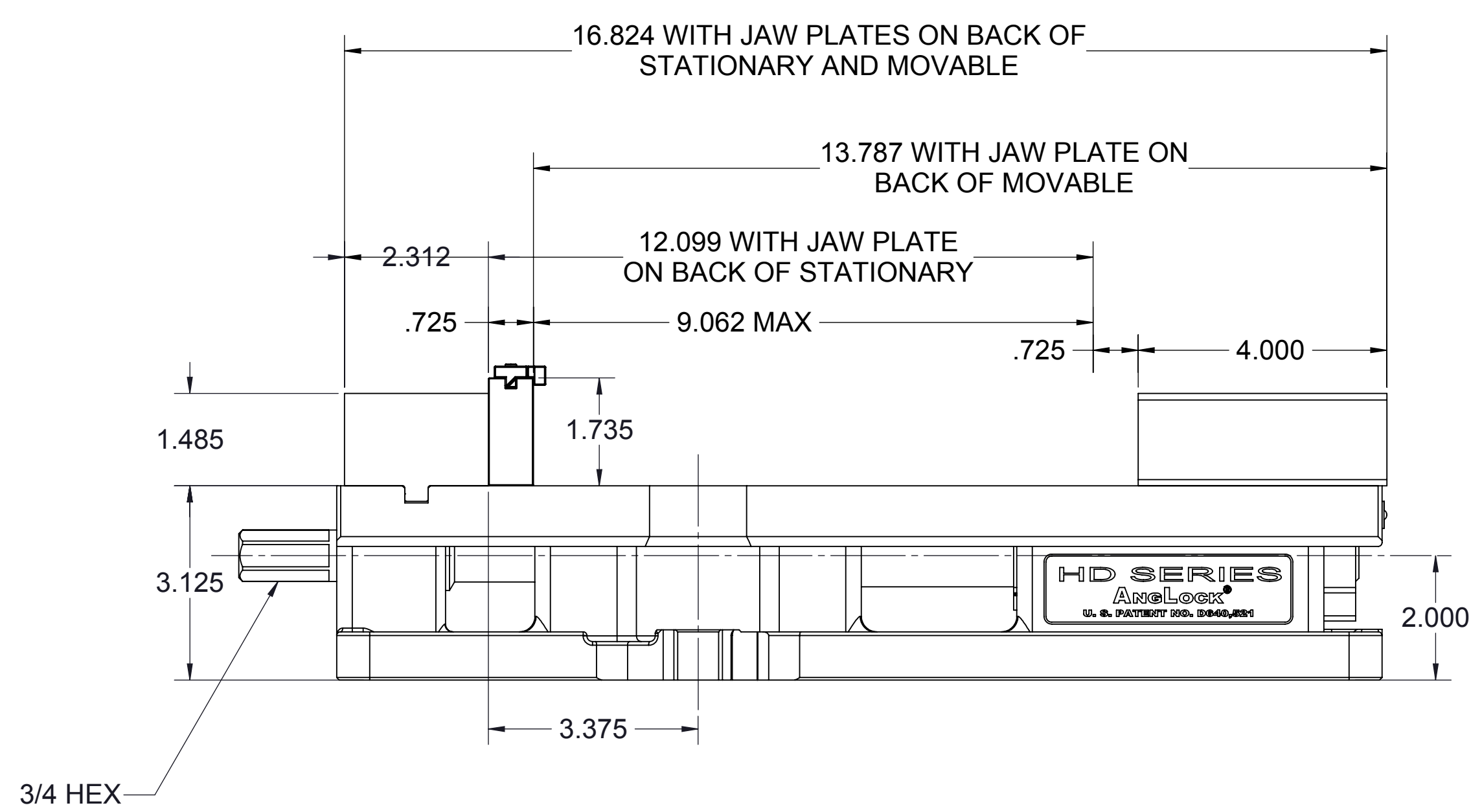
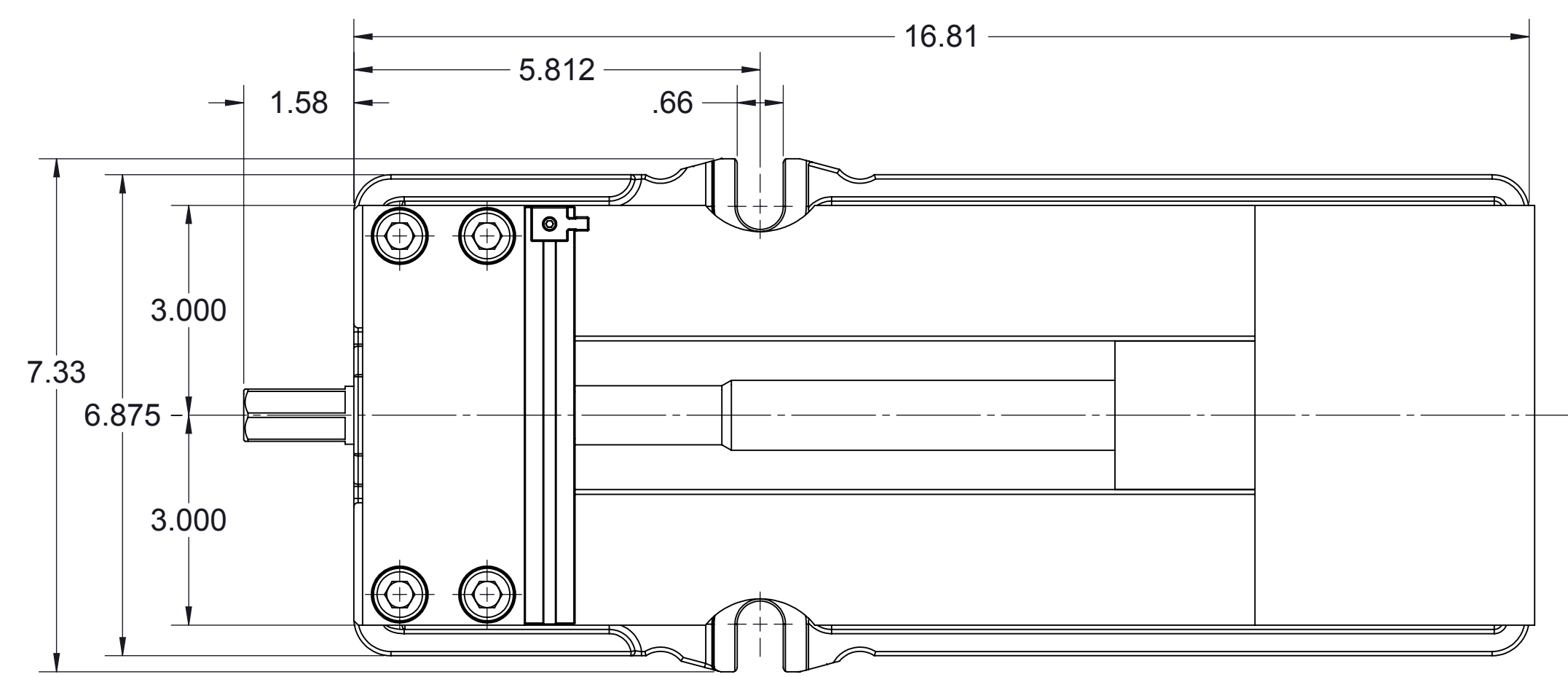


REV	ECO	DESCRIPTION	DATE	BY
A	V3826	RELEASED	8-10-11	DJS



CADKEY\I\ISE\N\HD691		TOOL NAME HD691		MODEL OF TOOL	
	WD- <small>TOLERANCES UNLESS NOTED INCHES</small> <small>DECIMAL X ± .05 XXXXX ± .0005</small> <small>XXX ± .02 ANGLES ± 1°</small> <small>XXX ± .005</small>	TITLE		REV. LEVEL	REV. LEVEL
		CATALOG DRAWINGS		D	A
DESIGNED	D. SZUMOWSKI	8-10-11	CUSTOMER	HD691	
DETAILED	D. SZUMOWSKI	8-10-11	CUSTOMER PART NO.	HD691	
CHECKED			DESCRIPTION OR MATERIAL		TOL. NO.
APPROVED				SCALE 1/2	SHEET 3 OF 4